

3.00mm(.118") Wire To Wire And Wire To Board Connector

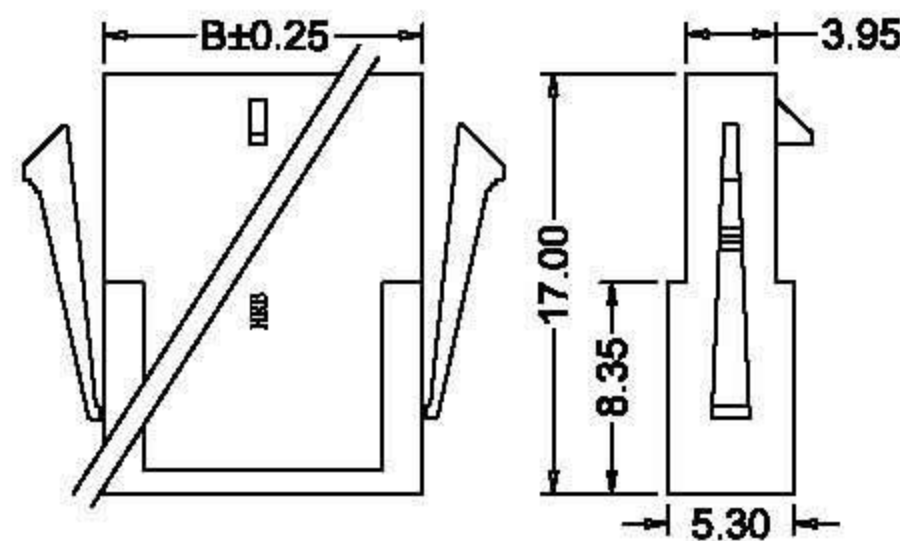
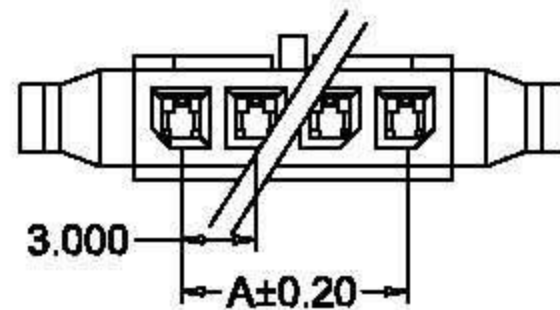
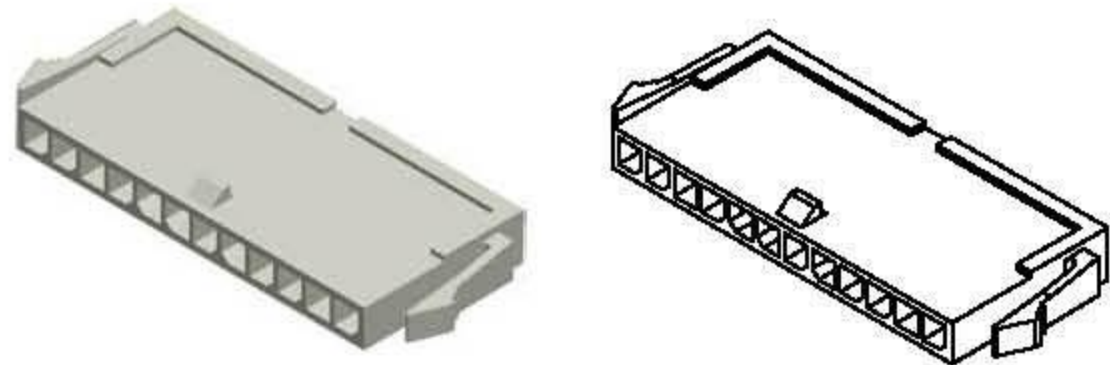


SPECIFICATIONS:

- Current Rating:5A AC,DC
- Voltage Rating:250V AC,DC
- Operating Temperature:V2:-25℃~+85℃
V0:-40℃~+130℃
- Contact Resistance:10mΩ max.
- Insulation Resistance:1000MΩ Min.
- Withstanding Voltage:1500V AC/minute
- Material:Nylon66 UL94V-2/UL94V-0
- UL File No:E304945
- Terminal In Housing Retention Force Requirement:2.5kg (Min.)

Shenzhen Hongru Connector Co., Ltd

Email:yukyli@hrb-connector.com
Tel: 86-0755 2709 6669
Fax: 86-0755 2709 2392
Skype: haiyuncheng-vivian
Mobile(whatsapp): 86-186 8112 3590
Website: <http://www.hrb-connector.com>



Ordering Information And Dimensions

Part NO.		Circuits	Dimensions		Part NO.		Circuits	Dimensions	
TYP UL94V-2	TYP UL94V-0		Dim:A	Dim:B	TYP UL94V-2	TYP UL94V-0		Dim:A	Dim:B
P3020-1x2-N-K	P3020-1x2-W-K	2	3.00	6.85	P3020-1x8-N-K	P3020-1x8-W-K	8	21.00	24.85
P3020-1x3-N-K	P3020-1x3-W-K	3	6.00	9.85	P3020-1x9-N-K	P3020-1x9-W-K	9	24.00	27.85
P3020-1x4-N-K	P3020-1x4-W-K	4	9.00	12.85	P3020-1x10-N-K	P3020-1x10-W-K	10	27.00	30.85
P3020-1x5-N-K	P3020-1x5-W-K	5	12.00	15.85	P3020-1x11-N-K	P3020-1x11-W-K	11	30.00	33.85
P3020-1x6-N-K	P3020-1x6-W-K	6	15.00	18.85	P3020-1x12-N-K	P3020-1x12-W-K	12	33.00	36.85
P3020-1x7-N-K	P3020-1x7-W-K	7	18.00	21.85					

